

COH-Series

Description

Orifice Flow Meter

They measure liquids and gases by using the Pressure Difference.

They can be used in high temperature and high pressure.

It is easy to operate and maintain the flowmeter if you use it together with valve or alarm.

Features

- With Micro Metal Tube
- Useful in high pressure and high temperature
- Useful in the opaque liquid
- Measuring from small to large size

Option

- Alarm (1 SPDT, 2 SPDT)



Flow Chart

Size (d)		Measuring Range		Measuring Range		Length	Weight
		H ₂ O (m ³ /h)		AIR (Nm ³ /h) 760mmHg(A) 20°C			
A	B	Flow Rate	One Scale	Flow Rate	One Scale	L (mm)	(Kg)
10A	3/8B	0,08 – 0,42	0,01	0,8 – 4	0,1	520	3,2
15A	1/2B	0,18 – 0,96	0,02	2 – 9,2	0,2	520	3,6
20A	3/4B	0,45 – 2,4	0,05	5 – 23	0,5	520	4,2
25A	1B	0,8 – 4,2	0,1	8 – 40	1	520	5,4
32A	1 1/4B	1,2 – 6,4	0,2	12 – 60	2	520	6,7
40A	1 1/2B	1,8 – 9,4	0,2	18 – 90	2	520	7,1
50A	2B	3,5 – 18,5	0,5	35 – 175	5	520	8,5
65A	2 1/2B	6 – 32	1	60 – 300	10	540	11,4
80A	3B	8 – 42	1	80 – 400	10	540	12
100A	4B	16 – 80	2	160 – 800	20	540	15,5
125A	5B	25 – 125	5	250 – 1,250	50	540	20
150A	6B	35 – 180	5	350 – 1,700	50	540	27
200A	8B	60 – 320	10	600 – 2,800	50	540	35
250A	10B	90 – 480	10	900 – 5,000	100	540	50
300A	12B	160 – 820	20	1,600 – 7,800	200	540	61
350A	14B	200 – 1,000	20	2,000 – 9,500	200	540	74
400A	16B	300 – 1,500	50	3,000 – 14,500	500	540	93
450A	18B	400 – 2,000	50	4,000 – 19,000	500	540	119
500A	20B	500 – 2,500	50	5,000 – 24,000	500	540	130

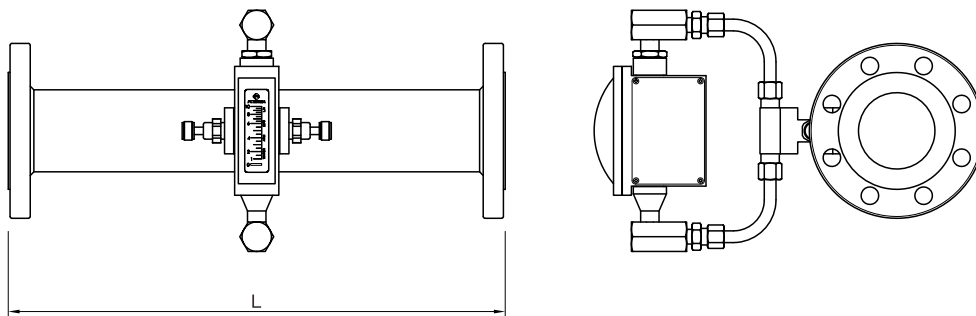
Orifice Flow Meter

Specification

Measuring	Liquid, Gas
Meter Size	10A(3/8") ~ 500A(20")
Material	Body: SUS 304 / SUS 316 / SUS 316L Float: SUS 304 / SUS 316 / SUS 316L Flange: SUS 304 / SUS 316 / SUS 316L Indicator: AL Die Cast (SUS 304 / SUS 316) Other Materials on Request
Pressure Rating	10 kgf/cm ² (Standard) Option: 20 kgf/cm ²
Temperature	Operation: 0 ~ 100°C Option: 200°C
Connection	Flange Connection (JIS / ANSI / DIN / Other)
Accuracy	± 3.0% of F.S (with Alarm: ± 5.0% of F.S)
Alarm (Option)	Contact Capacity: 250 VAC 0.5A (Self Holding Type) Form: 1-SPDT, 2-SPDT (Reed Switch)

Material & Dimension

Part List	Material		
Body	SUS 304	SUS 316	SUS 316L
Block	SUS 304	SUS 316	SUS 316L
Indicator	AL Die Cast		
Taper Tube	SUS 304 / SUS 316		
Float	SUS 304 / SUS 316		
Flange	SUS 304	SUS 316	SUS 316L



COH

Ordering Code

Model	Specification	Description		
COH	Orifice Flow Meter (with Micro Metal Tube / Flange type)			
	▪ Flow Direction			
	1	Bottom → Top		
	5	Side → Side		
	6	Top → Bottom		
	▪ Meter Size			
	10	10A (3/8")	125	125A (5")
	15	15A (1/2")	150	150A (6")
	20	20A (3/4")	200	200A (8")
	25	25A (1")	250	250A (10")
	32	32A (1-1/4")	300	300A (12")
	40	40A (1-1/2")	350	350A (14")
	50	50A (2")	400	400A (16")
	65	65A (2-1/2")	450	450A (18")
	80	80A (3")	500	500A (20")
100	100A (4")	O	Others	
▪ Connection				
J	JIS 10K			
A	ANSI 150#			
D	DIN PN16			
O	Others			
▪ Body Material				
A	SUS 304			
B	SUS 316			
C	SUS 316L			
O	Others			
▪ ALARM (Reed Switch) – (Option)				
1	One Point Alarm (1-SPDT)			
2	Two Point Alarm (2-SPDT)			
N	None			

[Example]

COH - 1 - 10 - J - A - 1